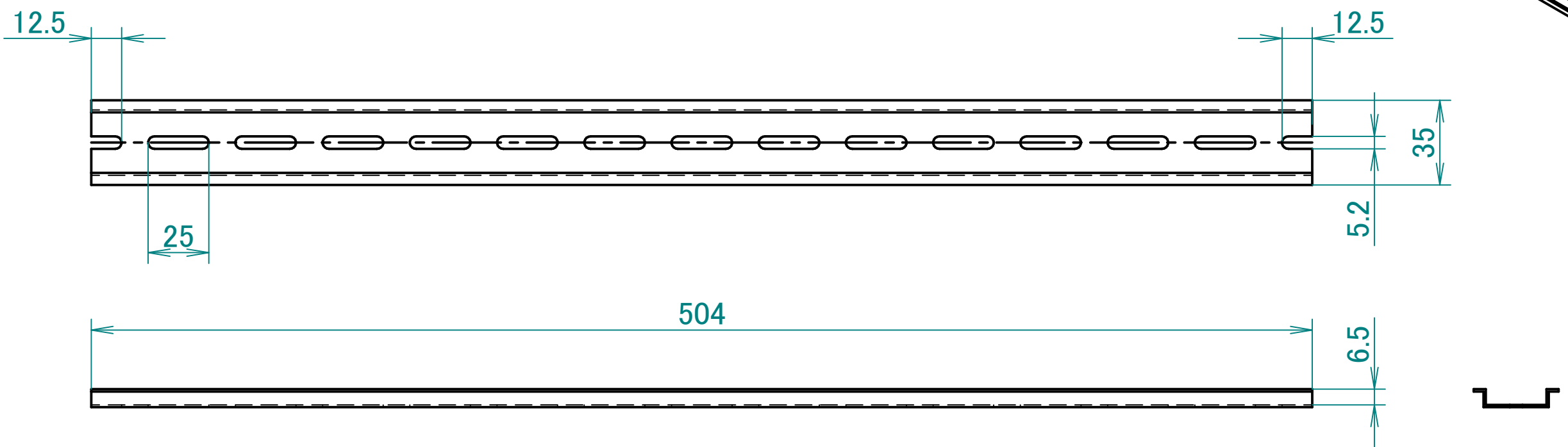
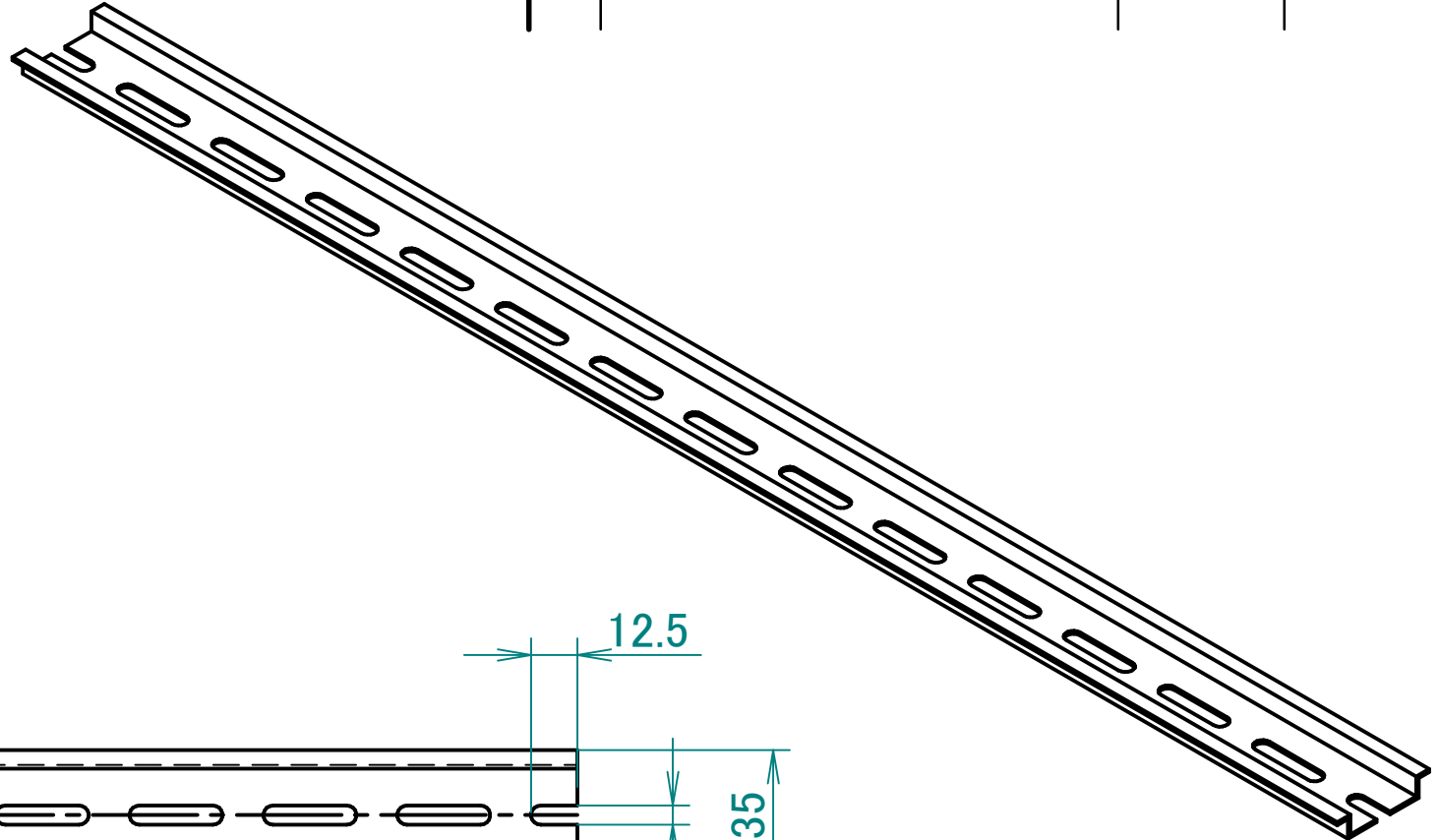



REVISION HISTORY			
REV	DESCRIPTION	DATE	APPROVED



DRAWN	NAME	DATE				
CHECKED	CZALCQ	08/23/21				
ENG APPR						
MGR APPR						
UNLESS OTHERWISE SPECIFIED DIMENSIONS ARE IN MILLIMETERS ANGLES ±X.X° 2 PL ±X.XX 3 PL ±X.XXX			TITLE NS 35 /7.5 WH PERF 504MM/A	SIZE A3	DWG NO 1342588	REV 1
			FILE NAME: [1342588] NS 35 _7.5 WH PERF 504MM_A.dft			
			SCALE:	WEIGHT:	SHEET 1 OF 1	