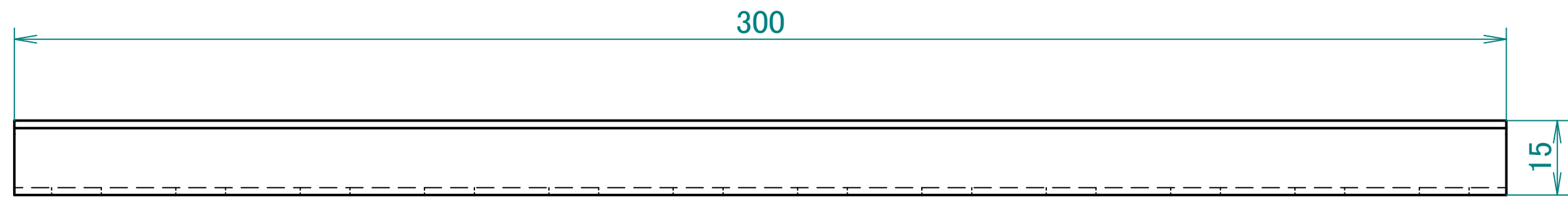
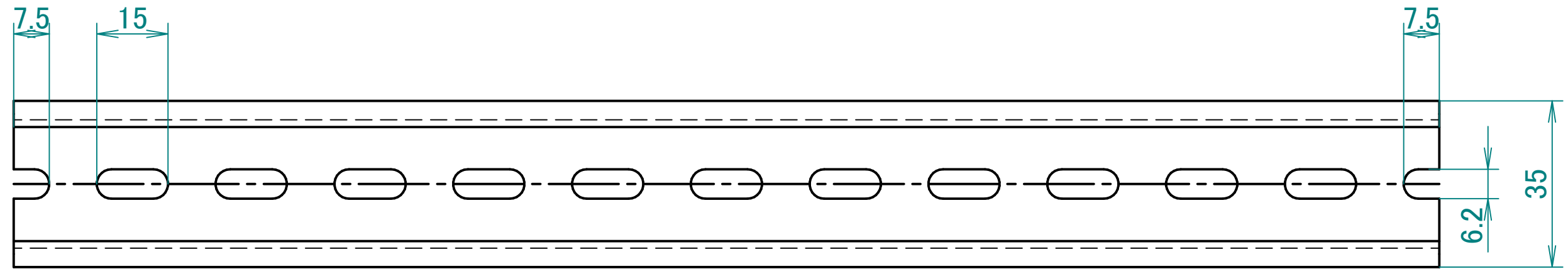
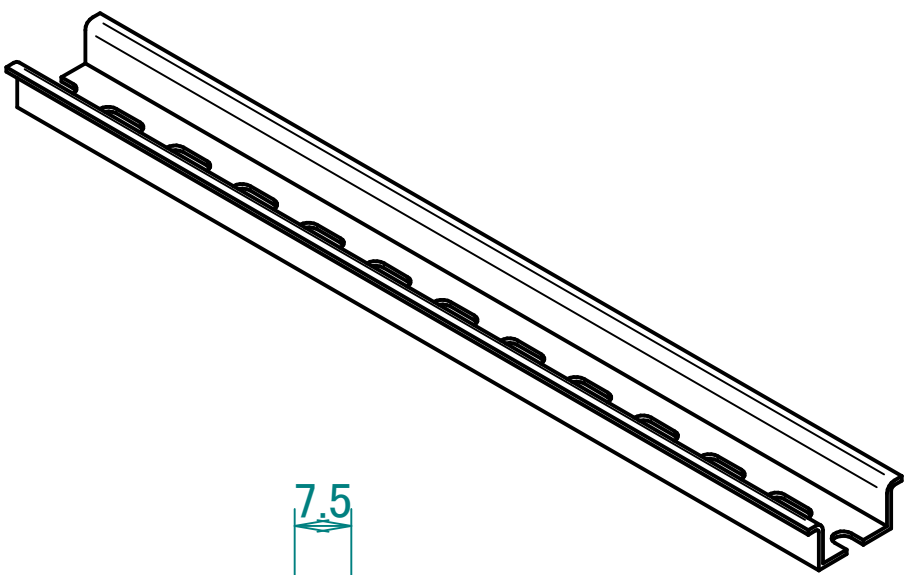


| REVISION HISTORY |             |      |          |
|------------------|-------------|------|----------|
| REV              | DESCRIPTION | DATE | APPROVED |
|                  |             |      |          |



|          | NAME   | DATE     |
|----------|--------|----------|
| DRAWN    | CZALCQ | 08/17/21 |
| CHECKED  |        |          |
| ENG APPR |        |          |
| MGR APPR |        |          |



TITLE  
**NS 35 /15 PERF 300MM/A**

UNLESS OTHERWISE SPECIFIED  
 DIMENSIONS ARE IN MILLIMETERS  
 ANGLES ±X.X°  
 2 PL ±X.XX 3 PL ±X.XXX

|            |                   |          |
|------------|-------------------|----------|
| SIZE<br>A3 | DWG NO<br>1341790 | REV<br>1 |
|------------|-------------------|----------|

FILE NAME: [1341790] NS 35 \_15 PERF 300MM\_A.dft

SCALE:      WEIGHT:      SHEET 1 OF 1