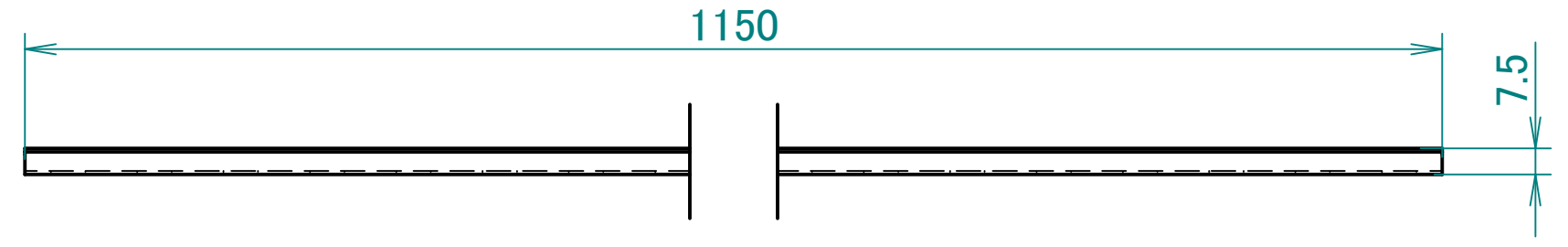
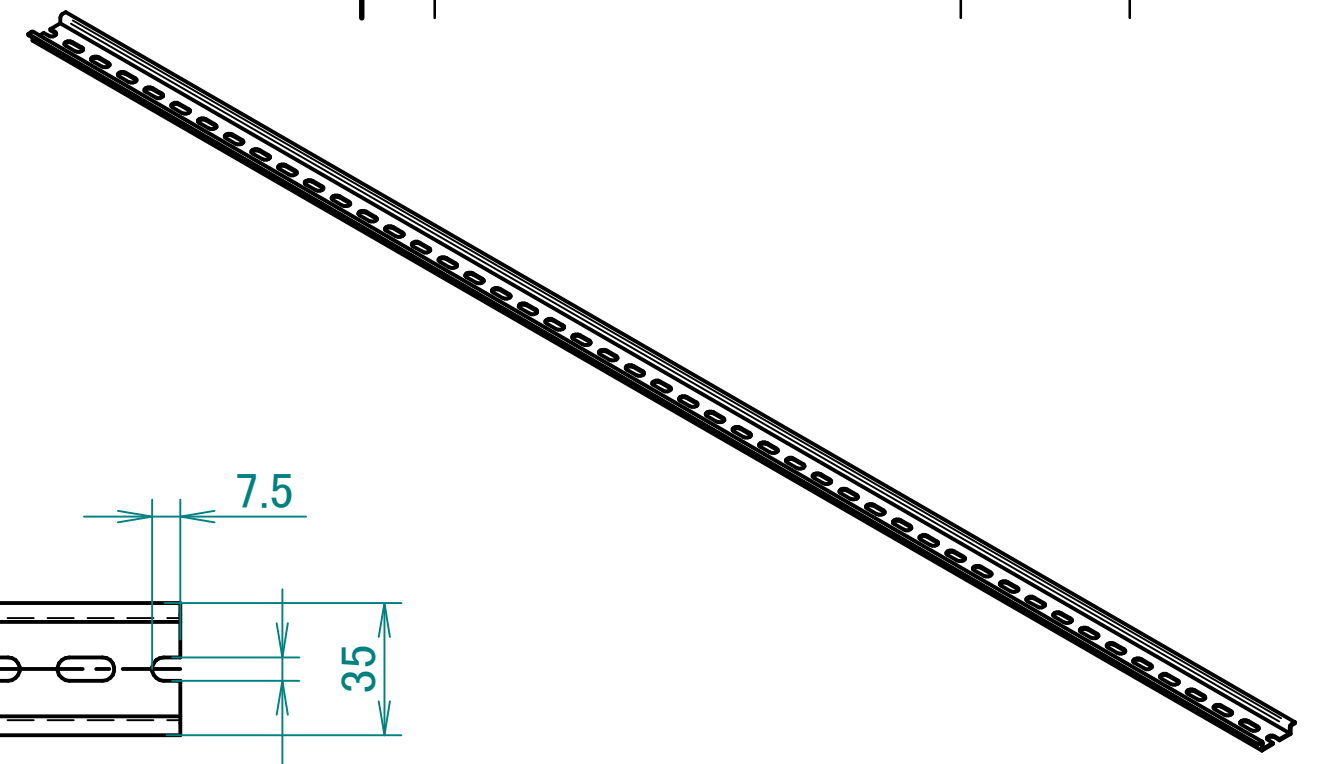
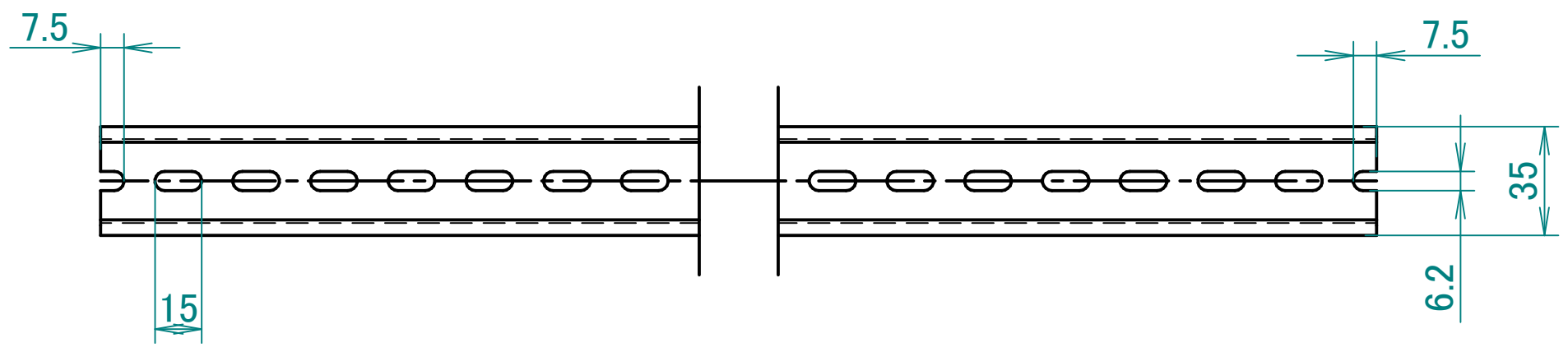



REVISION HISTORY			
REV	DESCRIPTION	DATE	APPROVED



	NAME	DATE			
DRAWN	CZALCQ	08/19/21			
CHECKED					
ENG APPR					
MGR APPR			TITLE NS 35 /7.5 PERF 1150MM/A		
UNLESS OTHERWISE SPECIFIED DIMENSIONS ARE IN MILLIMETERS ANGLES ±X.X° 2 PL ±X.XX 3 PL ±X.XXX			SIZE A3	DWG NO 1341753	REV 1
			FILE NAME: [1341753] NS 35 _7.5 PERF 1150MM_A.dft		
			SCALE:	WEIGHT:	SHEET 1 OF 1