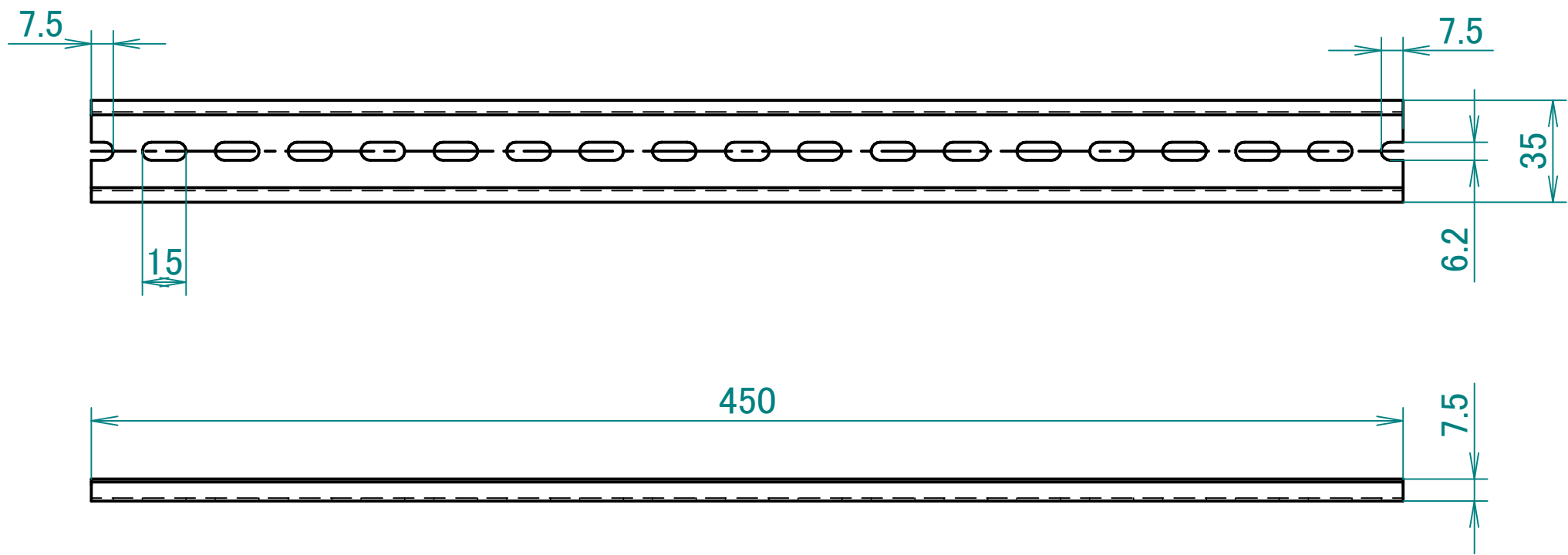
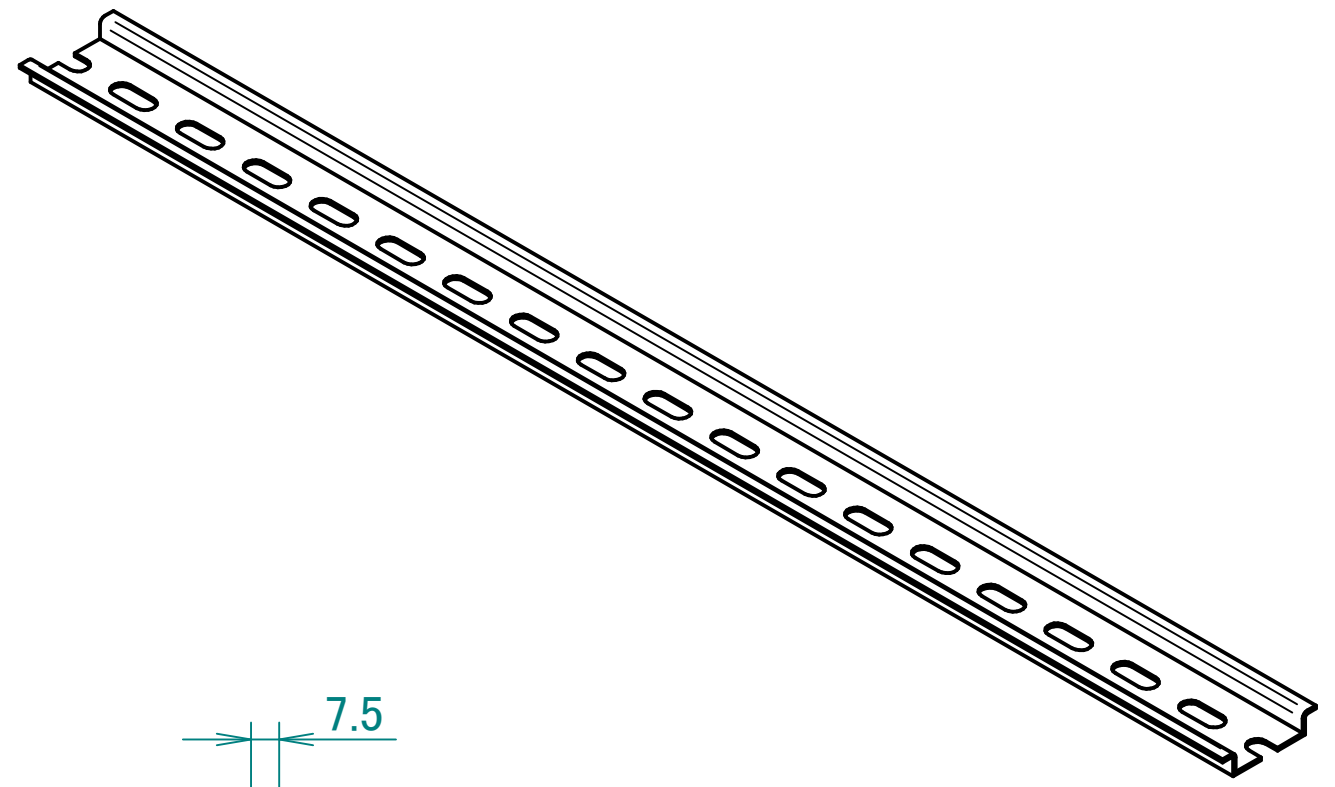


REVISION HISTORY			
REV	DESCRIPTION	DATE	APPROVED



	NAME	DATE
DRAWN	CZALCQ	08/18/21
CHECKED		
ENG APPR		
MGR APPR		



TITLE NS 35 /7.5 PERF 450MM/A		
SIZE A3	DWG NO 1341696	REV 1
FILE NAME: [1341696] NS 35 _7.5 PERF 450MM_A.dft		
SCALE:	WEIGHT:	SHEET 1 OF 1

UNLESS OTHERWISE SPECIFIED
DIMENSIONS ARE IN MILLIMETERS
ANGLES ±X.X°
2 PL ±X.XX 3 PL ±X.XXX